



## TS1000 Pro Series

**TS1000 Pro** Tripod Turnstile

**TS1011 Pro** Tripod Turnstile

(w/ controller and RFID reader)

**TS1022 Pro** Tripod Turnstile

(w/ controller and combination of fingerprint & RFID reader)

Our Pro series tripod turnstiles represent classic and safe way to protect your premises. They are widely used in various indoor environment applications. They fit perfectly as an economical option into the office buildings and other related applications.



Access Control System



Fingerprint Recognition



Drop-arm



Bi-directional



Mechanical Unlocking

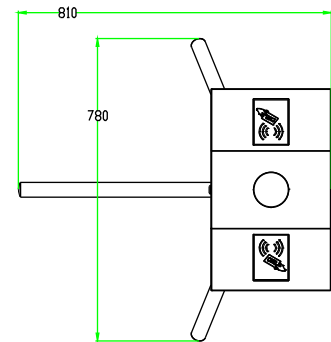
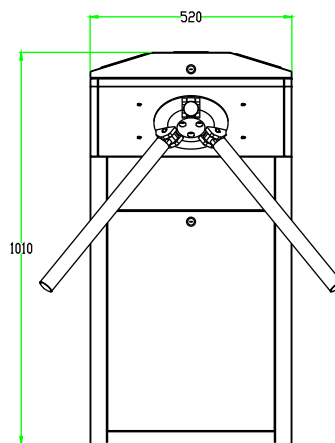
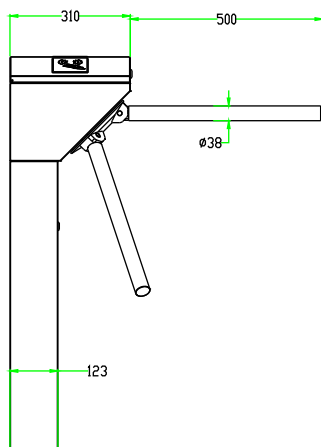
## Features

- SUS304 stainless steel housing
- Bi-directional tripod turnstile with arm drop function
- LED pictograms for intuitive user experience and high throughput in both directions
- High quality at an affordable price
- Low power consumption
- Wide range of accessories
- Easy and simple installation process
- Easy to maintain and monitor

# Specifications

Power requirements		AC110V/220V, 50/60Hz
Power consumption	Starting	68W
	Standby	15W
	Unlock	60W
Working temperature		-28 °C - 60 °C
Working humidity		5%-80%
Working environment		Indoor/Outdoor(if sheltered)
Speed of throughput	RFID	Maximum 30/minute
	Fingerprint	Maximum 25/minute
Lane width(mm)		500
Footprint(mm*mm)		520*810
Dimension(mm)		L=520,W=310,H=1010
Dimension with packing(mm)		L=570,W=365,H=1080
Net weight(kg)		34
Weight with packing(kg)		40
LED indicator		Y
Cabinet material		SUS304 Stainless Steel
Lid material		SUS304 Stainless Steel
Barrier material		SUS304 Stainless Steel
Barrier movement		Rotation
Emergency mode		Y
Security level		Medium
Mean cycles between failure (MCBF)		1 million
Options/Accessories		Counter, SUS316 Cabinet and Lid, Remote Control

## Dimensions (mm)



V1.1 2018.12.27



### MySolutions Inc.

Authorized Distributor of  
ZKTeco Products in the Philippines  
2F 201 Del Monte Ave. Brgy. Masambong QC  
Tel: (02) 365-8488 | (02) 367-8188 | (02) 257-7696 to 99  
Email: marketing@mysolutions.ph

© Copyright 2018. ZKTECO CO.,LTD. ZKTeco Logo is a registered trademark of ZKTeco or a related company. All other product and company names mentioned are used for identification purposes only and may be the trademarks of their respective owners. All specifications are subject to change without notice. All rights reserved.