



# ML10-ID

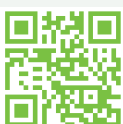
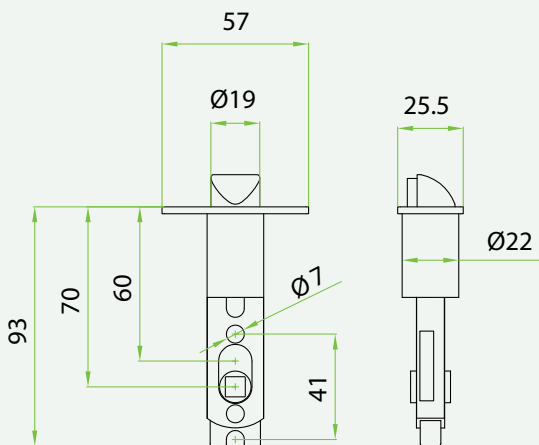
ML10-ID is integrated with fingerprint recognition,RFID card technology and optional BLT 4.0 technology, which enables you to unlock the door and manage users through your mobile phone.

## Features

- Bluetooth connection (optional)
- Four independent unlock methods: Fingerprint, ID-tag, mechanical key, and mobile phone (optional)
- User capacity: 180
- Fingerprint capacity: 90
- Card capacity: 90
- Rugged, sleek and compact design
- American standard single latch for easy replacement and installation
- Independent clutch motor design under patent protection
- Idle handle design to prevent possible entries
- Registration data are stored even if there is power loss
- Handle, latch and strike is reversible design for all door open direction
- Capacitive sensing technology - Touch to open
- Emergency key override (concealed)
- LED indicator and inbuilt buzzer
- External terminals to draw back-up power from a 9V battery
- Low battery warning
- Normal Open mode
- Easy to program and easy to use
- Easy to install—no wiring required
- 3 user groups - Admin, Normal User and Temporary User
- Backset is 60 mm or 70mm (adjustable)
- German standard mortise with one latch and one deadbolt (optional)

## Specifications

<b>Material</b>	Zinc Alloy
<b>User Capacity</b>	Admin -20 Normal User -120 Temporary User - 40
<b>Operating Temperature</b>	-20°C - 55°C
<b>Power Supply</b>	4xAA Alkaline Battery
<b>Backup Unlocking Way</b>	Mechanical Key & 9V Battery
<b>Door Thickness</b>	30-38 mm (optional) 39-46 mm (standard) 47-54 mm (standard) 55-60 mm (optional)
<b>Dimensions</b>	Front - 69(W)×155(L)×35(D) mm Back - 69(W)×155(L)×25(D) mm



**MySolutions Inc.**

Authorized Distributor of  
ZKTeco Products in the Philippines  
2F 201 Del Monte Ave, Brgy. Masambong QC  
Tel: (02) 365-8488 | (02) 367-8188 | (02) 257-7696 to 99  
Email: marketing@mysolutions.ph

© Copyright 2016. ZKTECO CO.,LTD. ZKTeco Logo is a registered trademark of ZKTeco or a related company. All other product and company names mentioned are used for identification purposes only and may be the trademarks of their respective owners. All specifications are subject to change without notice. All rights reserved.

