



## FBL1200 Series

**FBL1200** Flap Barrier Turnstile for additional Lane

**FBL1211** Flap Barrier Turnstile for additional Lane  
(w/ controller and RFID reader)

**FBL1222** Flap Barrier Turnstile for additional Lane  
(w/ controller and fingerprint & RFID reader)

The ZKTeco FBL1200 dual lane flap barrier turnstile is an elegant cost-effective entrance control system designed for high-traffic volume. The FBL1200 series should work together with FBL1000 series to build multiple lanes.

The FBL1200 is a Flap Barrier Turnstile for additional Lane series designed for smooth and silent operation and draws very little power. It's made of stainless steel which makes FBL1200 highly durable.

FBL1200 barriers are normally held in a locked position, thus denying access to the secured side. Upon FBL1200's reader (RFID and/or fingerprint) positively recognizing a user's valid access card or fingerprint, its barriers retract upward automatically, thus allowing users passage to the secured side.

During emergencies the barriers automatically retract upward, thereby ensuring users FAST unencumbered exit to safety. A battery for power outage safety can be installed for retracting the barrier automatically.

FBL1200 provides both security and convenient space, all in a very durable and elegant compact design.

### Features

#### Reliability

- SUS304 stainless steel casework ensure long-lasting durability
- High quality electrical components

#### Safety Features

- Barriers retract automatically during emergencies
- Barriers retract automatically during power outage with battery installed
- All smooth finish. No exposed screws.
- Ergonomic design makes card and fingerprint authentication fast & simple for users.

#### Built-in Reader Integration

- FBL1200 series ships already integrated with our customers' preference for either card or fingerprint access control reader. This greatly reduces installation time & expense.
- FBL1200 series and associated access control readers are all factory-tested prior to shipping.
- ZKTeco provides true plug&play turnstiles with the lowest possible total cost of ownership in the industry.

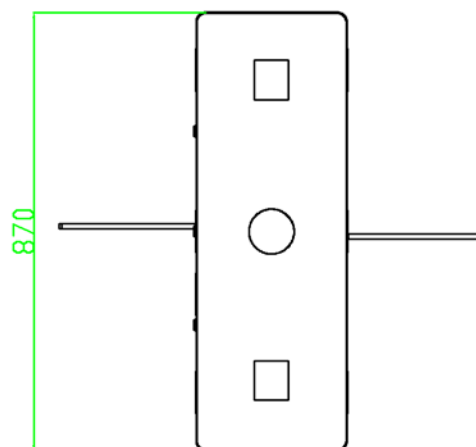
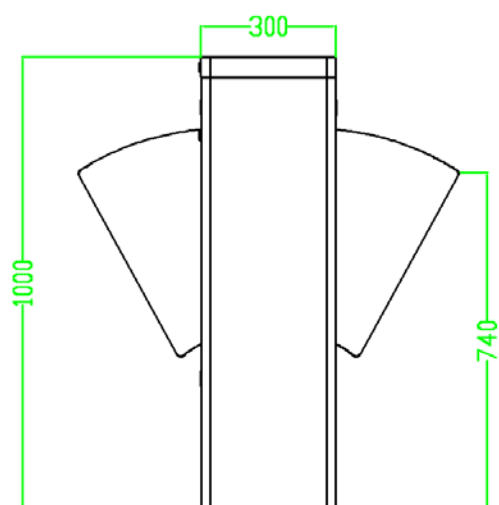
#### Simplification

- LCD on the flap barrier control board, easy operation.

# Specifications

Power requirements	AC 100 ~ 120V/200 ~ 240V, 50/60Hz	
Working temperature	-28°C~60°C	
Working humidity	5%~80%	
Working environment	Indoor/outdoor (if sheltered)	
Speed of throughput	RFID	Maximum 42/ minute
	Fingerprint	Maximum 35/ minute
	Face	Maximum 11/ minute
	Vein	Maximum 23/ minute
Lane width(mm)	600	
Footprint(mm*mm)	840*870	
Dimensions(mm)	L=870,W=300,H=1000	
Dimension with packing(mm)	L=1000,W=430,H=1110	
Net weight(kg)	58	
Weight with packing(kg)	81	
LED indicator	Y	
Cabinet material	SUS304 Stainless Steel	
Lid material	SUS304 Stainless Steel	
Barrier material	Acrylic	
Barrier movement	Retracting	
Emergency mode	Y	
Security level	Medium	
MCBF	2 million	

## Dimensions (mm)



### MySolutions Inc.

Authorized Distributor of  
 ZKTeco Products in the Philippines  
 2F 201 Del Monte Ave. Brgy. Masambong QC  
 Tel: (02) 365-8488 | (02) 367-8188 | (02) 257-7696 to 99  
 Email: marketing@mysolutions.ph

© Copyright 2016. ZKTECO CO.,LTD. ZKTeco Logo is a registered trademark of ZKTeco or a related company. All other product and company names mentioned are used for identification purposes only and may be the trademarks of their respective owners. All specifications are subject to change without notice. All rights reserved.

